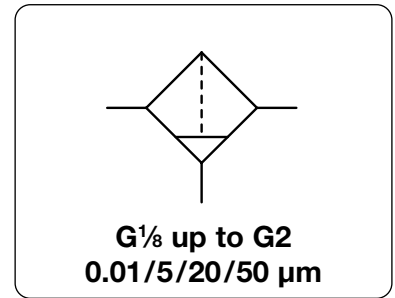
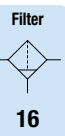


Description	Good value aluminium regulator of solid design.
Filter element	0.01 µm coalescing filter (to -04), 5 µm and 50 µm
Filtration efficiency	coalescing filter: 99.99% based on 0.01 µm particle size
Bowl	metal version with and without sight glass
Drainage	semiautomatic drain as standard, for max. 16 bar optionally manual drain, for max. 30 bar or automatic drain, for max. 16 bar
Operating pressure	max. 16 bar for metal bowl with sight glass max. 30 bar for metal bowl without sight glass
Temperature range	-10 °C to 50 °C / 14 °F to 122 °F for metal bowl with sight glass (-01 to -04 / -12 / -16) -20 °C to 60 °C / -4 °F to 140 °F for metal bowl with sight glass (-06 to -1A) -20 °C to 80 °C / -22 °F to 176 °F for metal bowl without sight glass
Material	Body: aluminium Bowl: aluminium Elastomer: NBR/Buna-N

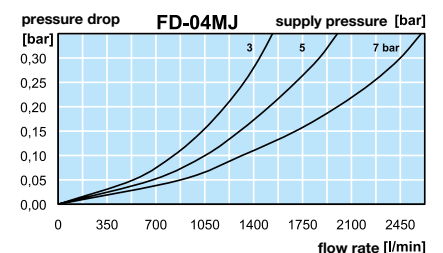
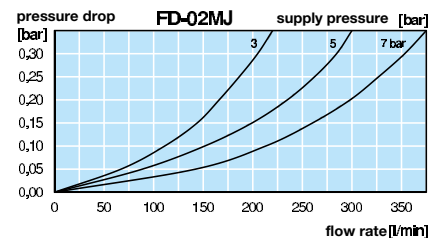
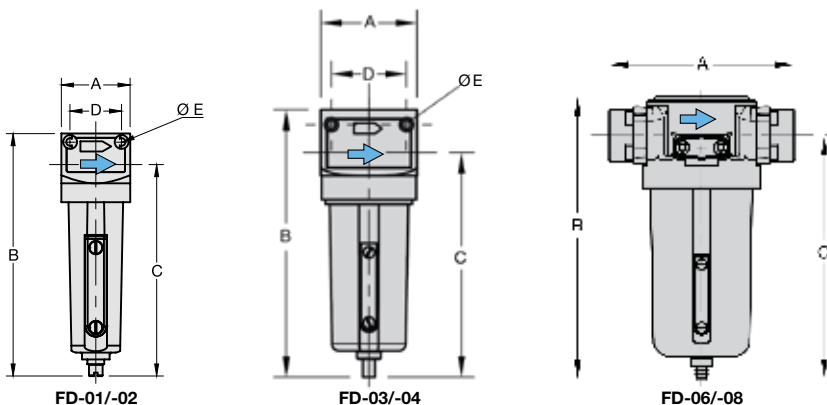


Dimensions			Bowl	Flow	Supply	Filter	Connection	Order
A	B	C	Design	Capacity	rate	element	thread	number
mm	mm	mm	made of/with	l	m ³ /h*1	µm	G	

Compressed air filter series "D"							with semiautomatic drain, 99.99 % at 0.01 µm		FD			
40	145	127	metal/sight glass	0.05	21	350	16	50	G ¹ / ₈	FD-01MJ		
					16	270				FD-01MG		
				metal/sight glass	0.05	4				70	16	0.01
40	145	127	metal/sight glass	0.05	24	400	16	50	G ¹ / ₄	FD-02MJ		
					18	300				16	5	FD-02MG
				metal/sight glass	0.05	4				70	16	0.01
64	176	148	metal/sight glass	0.18	144	2400	16	50	G ³ / ₈	FD-03MJ		
					108	1800				16	5	FD-03MG
				metal/sight glass	0.18	27				450	16	0.01
64	176	148	metal/sight glass	0.18	156	2600	16	50	G ¹ / ₂	FD-04MJ		
					120	2000				16	5	FD-04MG
				metal/sight glass	0.18	30				500	16	0.01
130	205	177	metal/sight glass	0.50	420	7000	16	50	G ³ / ₄	FD-06MJ		
					318	5300				16	5	FD-06MG
130	205	177	metal/sight glass	0.50	510	8500	16	50	G1	FD-08MJ		
					384	6400				16	5	FD-08MG



Type	D	Ø E
FD-01/02	30	4.5
FD-03/04	51	5.5



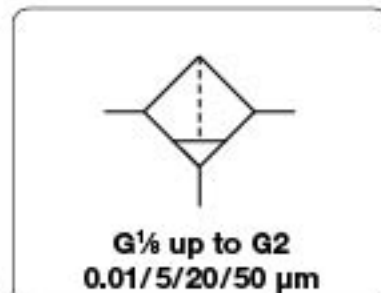
*1 at 7 bar operating pressure and 0.33 bar pressure drop

Extensions: see chapter for FRL service units

PDF CAD
www.aircom.net

Order example:
FD-01MH

Description	Good value aluminium regulator of solid design.
Filter element	0.01 µm coalescing filter (0-04), 5 µm and 50 µm
Filtration efficiency	coalescing filter: 99.99% based on 0.01 µm particle size
Bowl	metal version with and without sight glass
Drainage	semiautomatic drain as standard, for max. 16 bar optionally manual drain, for max. 30 bar or automatic drain, for max. 16 bar
Operating pressure	max. 16 bar for metal bowl with sight glass max. 30 bar for metal bowl without sight glass
Temperature range	-10 °C to 50 °C / 14 °F to 122 °F for metal bowl with sight glass (-01 to -04 / -12 / -16) -20 °C to 60 °C / -4 °F to 140 °F for metal bowl with sight glass (-06 to -1A) -20 °C to 80 °C / -4 °F to 176 °F for metal bowl without sight glass
Material	Body: aluminium Bowl: aluminium Elastomer: NBR/Buna-N



Dimensions			Bowl	Flow	Supply	Filter	Connection	Order
A	B	C	Design	Capacity	rate	element	thread	number
mm	mm	mm	made of/with	l	m ³ /h ¹	µm	G	

Compressed air filter series "D"								with semiautomatic drain, 99.99 % at 0.01 µm	FD
241	205	177	metal/sight glass	0.5	570 9500	18 50	G1 ¹ / ₂	FD-10MJ	
					432 7200	18 5		FD-10MG	
241	205	177	metal/sight glass	0.5	600 10000	18 50	G1 ¹ / ₂	FD-1AMJ	
					450 7500	18 5		FD-1AMG	
174	248	213	stainless steel	1.0	1380 23000	15 50	G1 ¹ / ₂	FD-12MJ	
					1050 17500	5		FD-12MG	
174	248	213	stainless steel	1.0	1380 23000	15 50	G2	FD-16MJ	
					1050 17500	5		FD-16MG	



FD-10/-1A



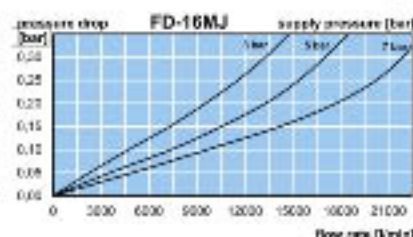
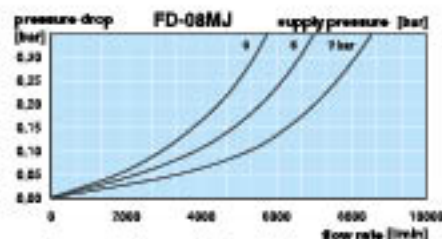
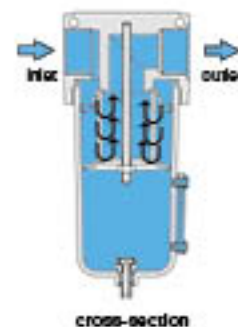
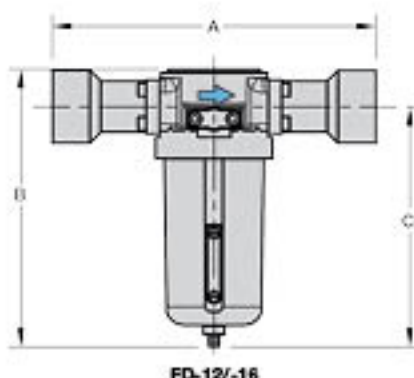
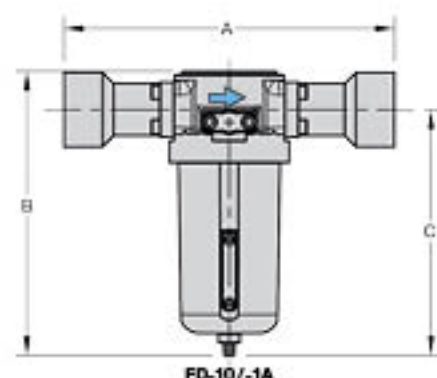
FD-12/-16

Special options, add the appropriate letter

operating pressure 30 bar	metal bowl w/o sight glass, with manual drain	FD-... N. H
manual drain	max. 16 bar	for G ¹ / ₂ to G1 ¹ / ₂ (1A) FD-... . H
manual drain	max. 30 bar	for G1 ¹ / ₂ (12) and G2 FD-1.M.H
automatic drain	draining through float valve, max. 16 bar	for G ¹ / ₂ to G2 FD-... . R

Accessories, enclosed

mounting bracket	made of stainless steel	for G ¹ / ₂ to G1 ¹ / ₂ (1A)	BW00-58S
	made of stainless steel	for G1 ¹ / ₂ (12) and G2	BW00-63S



*1 at 7 bar operating pressure and 0.33 bar pressure drop

Extensions: see chapter for FRL service units

PDF CAD
www.aircom.net

Order example:
FD-10MJ